

Box Line 45

MR07E3404110

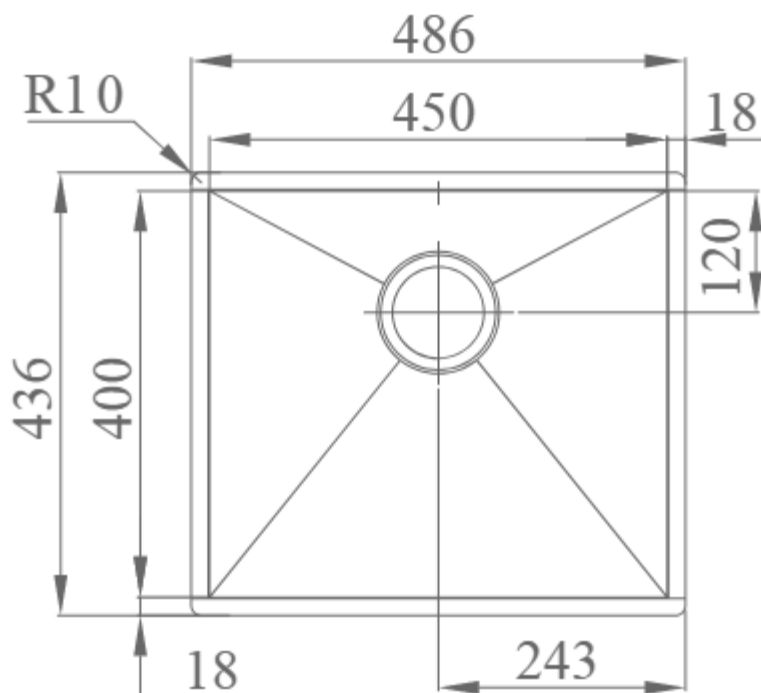
version 01

date 13/08/2018



FEATURES

- Under mount sink
- 450x400x200



meco international pty ltd.

meco.com.au

for all sales & product inquiries email sales@meco.com.au or call (02) 9618 6999

*all measurements are subject to accepted manufacturing tolerances. please check actual product dimensions prior to installation. meco international pty ltd reserves the right to change specifications at any time without giving prior notification.